

CHL



1.25 ton
AC ELECTRIC
FORKLIFT

STANDARD EQUIPMENT

- Wide view mast
- Standard fork
- II (III) fork carriage
- Backrest
- Three-spool control valve
- Battery group
- Standard seat
- Overhead guard
- Overhead guard raincoat
- LCD combined display
- Pneumatic tyres
- Traction bar
- Attached tools

OPTIONS

- Boom
- Cab
- Load hook
- String bar
- Hinged fork
- Back view mirror
- Side shifter
- Paper roll clamp
- Alarm lamp
- Solid tyre
- Rear work lights
- Protective fences
- Multi function barrel clamp
- Load stabilizer
- Widened fork carriage
- Lengthened fork
- Load pusher
- Fork sleeve
- Rotating flat clamp
- Dual-tyres protector
- Accessory hydraulic component
- Tilt/Steering cylinder protection sleeve
- Colored tyre(white/green)
- Wide view double/triplex full free mast
- User-specified color

Manufacturer: **ANHUI HELI CO., LTD.**
 NO.668 Fangxing Street, Economical Development Zone,
 Hefei, P.R.China
 TEL: 0086-551-63639458
 FAX: (86 551)63639966
 WEBSITE: [HTTP://WWW.CHLFORLIFT.COM](http://www.chlforlift.com)
 E-MAIL: chl@chlforlift.com

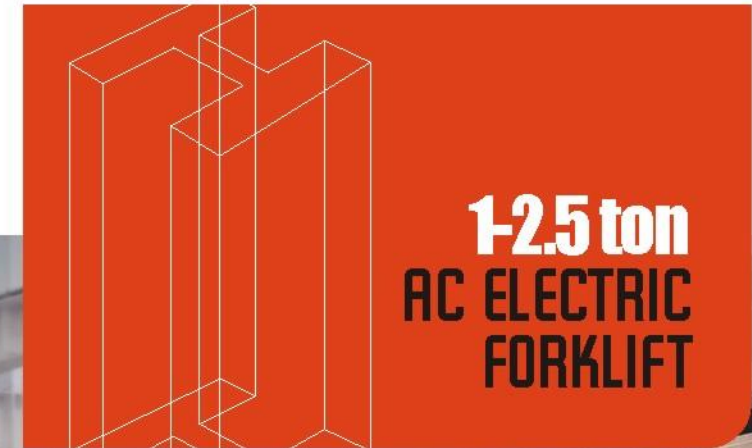
AUTHORIZED DEALER

*Details of specifications and equipment are based on information available at the time of printing and may change without notice.

© 2013 heli copyright

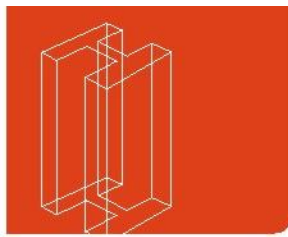
Catalog No.2013.10 HELI Print

CHL



1.25 ton
AC ELECTRIC
FORKLIFT





AC ELECTRIC FORKLIFT 1-2.5 ton



Newly designed wide-view mast



The newly designed wide-view mast enlarges operators' view effectively and lessens the blind area to provide a clearer vision.

High efficiency loading/unloading performance

The innovative design and configuration of hydraulic system improve the working efficiency largely and provide a very efficient loading/unloading.

↑ 20%
THE MAXIMUM UNLOADED LIFTING SPEED INCREASES

↑ 12%
THE MAXIMUM LOADED LIFTING SPEED INCREASES



- ✓ New low-speed & high-torque lifting motor
- ✓ MOSFET lifting controller
- ✓ New dynamic load sensing technology in hydraulic system
- ✓ Optional AC lifting system greatly enhances the loading/unloading performance.

Excellent steering system



The Steering system with new technologies not only provides a smoother swerve and faster positioning & steering, but also effectively lowers down the noise.

- ✓ New integrated load-sensing steering
- ✓ Power Steering
- ✓ New low-noise gear pump with differential tooth technology

Enough operation space

The new optimization layout widens the operator space for ensuring more comfortable and convenient operation.



AC drive motor



The wonderful combination of high-power AC motor and the new style gearbox by independent R&D fully enhance the performance of acceleration, driving and grade ability.

- ✓ Large ratio gearbox
- ✓ Motor maintenance
- ✓ Maintain more efficient
- ✓ Renewable energy technologies

↑ 15% THE MAXIMUM TRAVEL SPEED INCREASES (1-1.5 ton)
↑ 11% THE MAXIMUM TRAVEL SPEED INCREASES (2-2.5 ton)
↑ 20% GRADIENT PERFORMANCE INCREASES (1-1.5 ton)
↑ 50% GRADIENT PERFORMANCE INCREASES (2-2.5 ton)

The truck equipped with more intelligence functions not only ensures the safety performance, but also improves the efficiency and reduces energy consumption.

- ✓ Standard CANBUS
- ✓ Self-braking on ramp
- ✓ Preventing abnormality operating
- ✓ AC traction controller
- ✓ Emergency power shut-down
- ✓ Electric controller self-protecting
- ✓ Presence of driver sensing system
- ✓ Speed selection function (normal/cutback)

More intelligent performance



CURTIS CONTROLLER

ZAPICONTROLLER

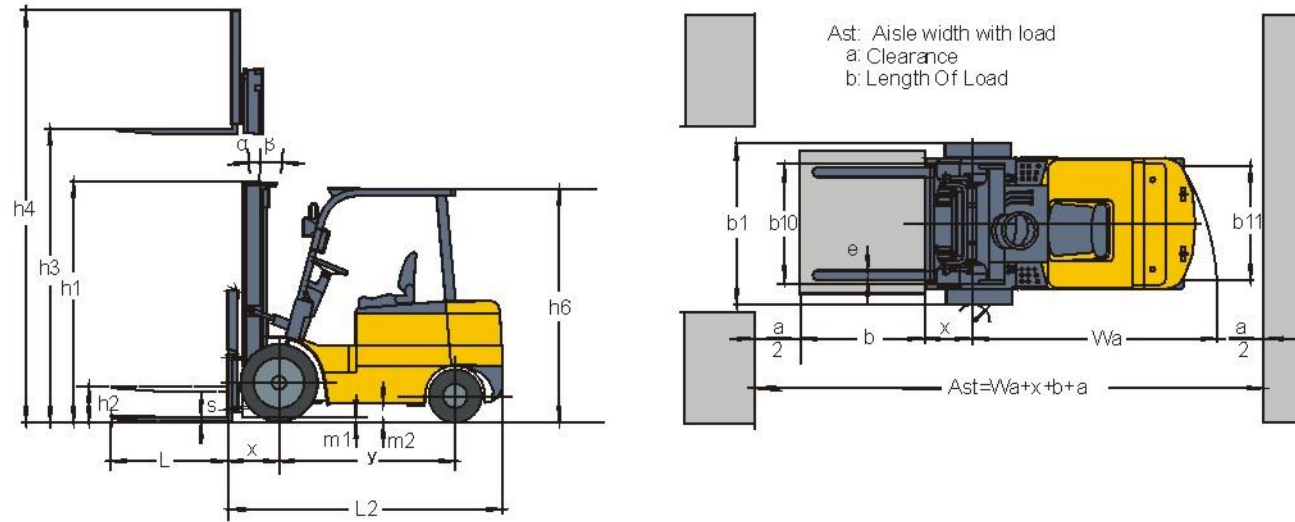


AC ELECTRIC
FORK LIFT **1-2.5 ton**



Manufacturer's Data and Design Characteristics														
Characteristics														
1.01	Manufacture's Name		ANHUI HELI CO., LTD.											
1.02	Model Designation		CPD10		CPD15				CPD18		CPD20		CPD25	
1.03	Configuration Number		FJ1	FJ2	FJ1	FJ2	CJ1	CJ2	CJ1	CJ2	FJ1	FJ2	FJ1	FJ2
1.04	Load Capacity	Q (kg)	1000		1500				1750		2000		2500	
1.05	Load Center	c (mm)	500											
1.06	Power Type		Battery											
1.07	Operator Type		Seated											
1.08	Wheelbase	y (mm)	1250		1250		1370		1370		1515			
Wheels & Tyres														
2.01	Tyre Type		Pneumatic											
2.02	Tyres Number (Front/Rear)		2/2											
2.03	Tread (centre of tyre), front	b10 (mm)	890				920				960			
2.04	Tread (centre of tyre), rear	b11 (mm)	920				920				950			
2.05	Tyre Size, Front		6.50-10-10PR				7.00-12-12PR							
2.06	Tyre Size, Rear		5.00-8-10PR				18×7-8-14PR							
Dimensions														
3.01	Load Distance	x (mm)	421		425				425		483			
3.02	Mast Tilt Angle, F/R	α/β (°)	6/12		6/12				6/12		6/12			
3.03	Height with Mast Lowered	h1 (mm)	1995		1995				1995		2000			
3.04	Free Lift	h2 (mm)	150		155				155		170			
3.05	Standard Lift Height	h3 (mm)	3000		3000				3000		3000			
3.06	Height with Mast Extended	h4 (mm)	4008		4005				4005		3995			
3.07	Overhead Guard Height	h6 (mm)	2130		2130		2160		2160		2130			
3.08	Fork Size	s/e/L (mm)	32×100×770		35×100×920				35×100×920		45×100×920		45×100×1070	
3.09	Fork Carriage to DIN 15173 A/B		2A		2A				2A		2A			
3.10	Length to fork face	L2 (mm)	2005		2040		2130		2160		2398			
3.11	Overall Width	b1 (mm)	1070		1070				1070		1150			
3.12	Outside Turning Radius	Wa (mm)	1800		1820		1930		1960		2065			
3.13	Ground Clearance at mast, Loaded	m1 (mm)	110		110				110		140			
3.14	Ground Clearance at centre of wheelbase, Loaded	m2 (mm)	125		125				125		155			
3.15	Right Stack Aisle width (Pallet size 1000x1000mm, clearance: 200mm)	Ast (mm)	3420		3445		3560		3590		3748		3808	
3.16	Right Stack Aisle width (Pallet size 1200x1200mm, clearance: 200mm)	Ast (mm)	3620		3645		3760		3790		3948		3948	
Performances														
4.01	Travel Speed, with/without load	km/h	14/15		14/15				14/15		14/15		14/15	
4.02	Lifting Speed, with/without load	m.m/s	290/450		270/450				280/530		280/490		260/490	
◆ 4.02	Lifting Speed, with/without load	m.m/s	350/490		340/490				330/490		350/440		310/440	
4.03	Lowering Speed	m.m/s	450											
4.04	Gradient performance with load	%	18		17				15		16		15	
4.05	Max. draw bar pull with load	N	7800		8600		8800		9500		12300		12800	
4.06	Acceleration time (10 metres) W/O load	s	4.4/4.1		4.5/4.2		4.5/4.2		4.8/4.5		4.8/4.3		5.0/4.6	
Weight														
5.01	Total Approximate Weight (W/O battery)	kg	2650		2950		3000		3250		4050		4200	
5.02	Axle Loading*: Unloaded, Front/Rear	kg	1200/1450		1330/1620		1360/1640		1450/1800		1820/2230		1900/2300	
5.03	Axle Loading*: Loaded, Front/Rear	kg	3285/365		4000/450		4030/470		4500/500		5450/600		6030/670	
Battery														
6.01	Battery Voltage/rated capacity(5h)	V/Ah	48/400				48/550				48/600			
6.02	battery weight	kg	975				1075				1125			
6.03	Compartment for Battery Size	mm	617x980x465				727x980x500				525x1050x807			
Motor & Controller														
7.01	Drive Motor - 60 Min. Rating	kW	8.0(AC)				11.1(AC)							
7.02	Pump Motor - 15 Min. Rating	kW	7.5(DC)				8.6(DC)				10.5(DC)			
◆ 7.02	Pump Motor - 15 Min. Rating	kW	10(AC)				12(AC)							
7.03	Drive Motor Control Method		MOSFET/AC											
7.04	Pump Motor Control Method		MOSFET/DC											
◆ 7.04	Pump Motor Control Method		MOSFET/AC											
7.05	Service Brake/Parking Brake		Hydraulic/Mechanical											
7.06	Relief Pressure	Mpa	14.5		14.5		14.5		17.5		17.5		17.5	

* stands for the parameters and configurations when choosing the AC type lifting system.



WIDE VIEW MAST

Mast model	Max. fork height (mm)	Load Capacity (Load centre 500mm) (kg)					Overall Height (mm)		Tilt Angle (α/β) (°)
		CPD10	CPD15	CPD18	CPD20	CPD25	1-1.8t	2-2.5t	
M200	2000	1000	1500	1750	2000	2500	1495	1500	6/12
M250	2500	1000	1500	1750	2000	2500	1745	1750	6/12
M300	3000	1000	1500	1750	2000	2500	1995	2000	6/12
M330	3300	1000	1500	1750	2000	2500	2145	2150	6/12
M350	3500	1000	1500	1750	2000	2500	2245	2250	6/12
M370	3700	1000	1500	1750	2000	2450	2345	2350	6/6
M400	4000	1000	1500	1700	2000	2400	2545	2550	6/6
M425	4250	1000	1400	+1650 +1750	1850	2250	2670	2675	6/6 6/12
M450	4500	950	1350	+1550 +1700	1800	2150	2795	2800	6/6 6/12
M500	5000	930	+1000 +1250	+1000 +1600	+1600 +1700	+1600 +2000	3045	3050	6/6 6/6
M550	5500	900	+900 +1150	+950 +1500	+1500 +1800	+1500 +1900	3345	3350	*3/6
M600	6000	+600 +850	+600 +1050	+600 +1400	+950 +1500	+950 +1800	3595	3600	*3/6

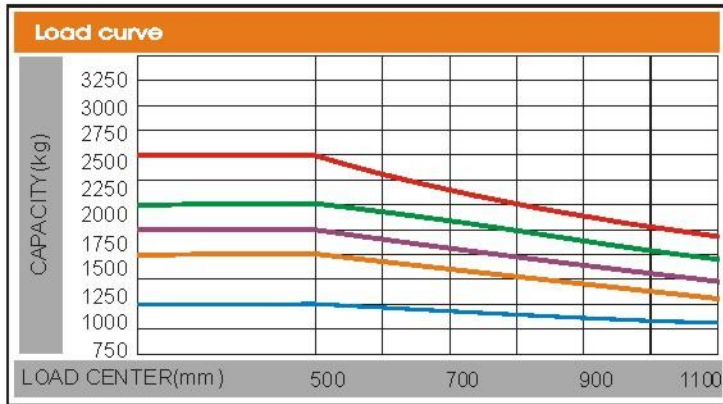
WIDE VIEW FULL FREE 2-STAGE MAST

Mast model	Max. fork height (mm)	Load Capacity (Load centre 500mm) (kg)					Overall Height (mm)		Free lift (With STD backrest) (mm)		Tilt Angle (α/β) (°)
		CPD10	CPD15	CPD18	CPD20	CPD25	1-1.8t	2-2.5t	1-1.8t	2-2.5t	
ZM200	2000	1000	1500	1750	2000	2500	1535	1495	520	495	6/12
ZM250	2500	1000	1500	1750	2000	2500	1745	1745	735	745	6/12
ZM300	3000	1000	1500	1750	2000	2500	1995	1995	985	995	6/12
ZM330	3300	1000	1500	1750	2000	2500	2145	2145	1135	1145	6/12
ZM350	3500	1000	1500	1750	2000	2500	2245	2245	1235	1245	6/12
ZM370	3700	1000	1500	1750	2000	2450	2370	2345	1360	1345	6/6
ZM400	4000	1000	1500	1700	2000	2400	2545	2545	1535	1545	6/6
ZM425	4250	1000	1400	+1650 +1750	1850	2250	2670	2670	1660	1670	6/6 6/12
ZM450	4500	950	1350	+1550 +1700	1800	2150	2795	2795	1785	1795	6/6 6/12
ZM500	5000	930	+1000 +1250	+1000 +1600	+1600 +1700	+1600 +2000	3045	3045	2035	2045	6/6 6/6
ZM550	5500	900	+900 +1150	+950 +1500	+1500 +1800	+1500 +1900	3345	3345	2335	2345	*3/6
ZM600	6000	+600 +850	+600 +1050	+600 +1400	+950 +1500	+950 +1800	3595	3595	2585	2595	*3/6

WIDE VIEW FULL FREE 3-STAGE MAST

Mast model	Max. fork height (mm)	Load Capacity (Load centre 500mm) (kg)					Overall Height (mm)		Free lift (With STD backrest) (mm)		Tilt Angle (α/β) (°)
		CPD10	CPD15	CPD18	CPD20	CPD25	1-1.8t	2-2.5t	1-1.8t	2-2.5t	
ZSM360	3600	1000	1450	1750	2000	2400	1790	1795	780	795	6/6
ZSM400	4000	1000	1400	1600	1900	2300	1915	1920	910	920	6/6
ZSM435	4350	950	1300	+1500 +1700	1850	2200	2040	2045	1030	1045	6/6 6/6
ZSM450	4500	950	1300	+1500 +1650	1750	2100	2090	2095	1080	1090	6/6 6/6
ZSM470	4700	930	1280	+1450 +1600	1720	2000	2160	2160	1150	1160	6/6 6/6
ZSM480	4800	920	1250	+1400 +1580	1700	1950	2190	2195	1180	1195	6/6 6/6
ZSM500	5000	900	+1000 +1200	+1000 +1550	1600	+1600 +1900	2290	2295	1280	1295	6/6 6/6
ZSM540	5400	+750 +900	+800 +1150	+800 +1480	1500	+1500 +1800	2415	2420	1410	1420	3/6 3/6
ZSM600	6000	+550 +850	+550 +1050	+550 +1380	+950 +1450	+950 +1700	2650	2645	1640	1645	3/6 3/6
ZSM650	6500	+800 +1000	+1000 +1250	+1250 +1300	+600 +1500	+600 +1500	2855	-	1845	-	*3/6

NOTE: (1)* Rated capacity with front dual tires
(2)CPD10-18: The free height of full free 2-stage mast without backrest increase 431mm;
CPD10-18: The free height of full free 3-stage mast without backrest increase 496mm;
(3)CPD20-25: The free height of full free 2-stage mast without backrest increase 459mm;
CPD20-25: The free height of full free 3-stage mast without backrest increase 453mm.



1.0t 1.5t 1.8t 2.0t 2.5t

Note:
Vertical axis stands for load capacity while horizontal axis stands for load center. Load center is the distance counted from the front of the fork. The base point of the standard load is the center point of the cubic with the same 1000mm dimension in length, width and height. The load capacity should be down, if mast tilts forward, using non-standard forks or loading goods with extra width. Please notice the different load capacity between different load centers according to load chart.



Renewable energy technologies

With the use of the excellent load-sensing steering system and AC controlling renewable energy technologies, the forklift is more energy-saving and the working hour of the battery is extended by 15%.

↑ 15%
THE PERFORMANCE OF BATTERY INCREASES

The reliable special instrument gives a complete display of the vital information, like operation status, fault detection, etc. It ensures the operator predominate the vehicle status more intuitive and convenient.

