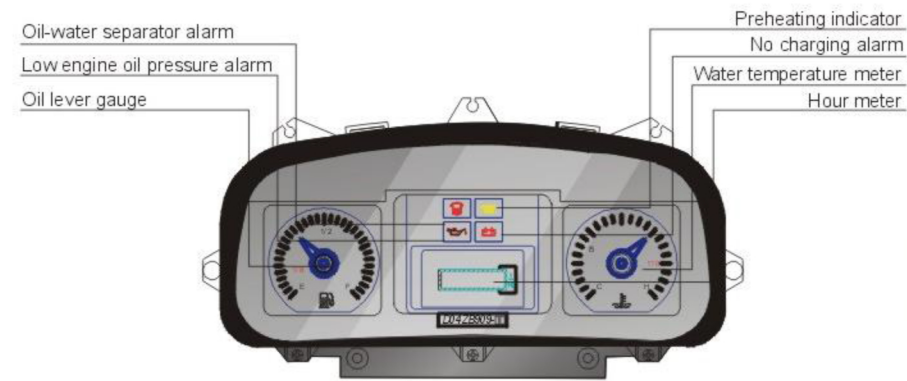


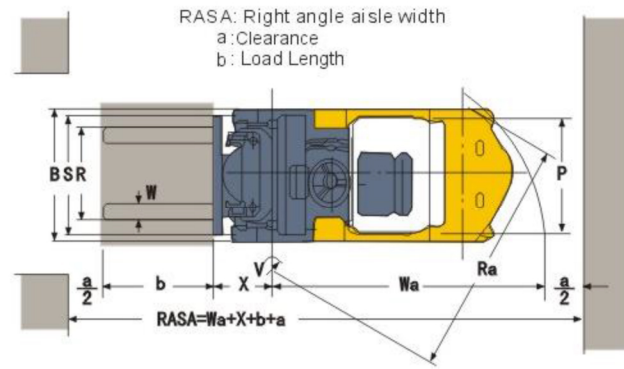
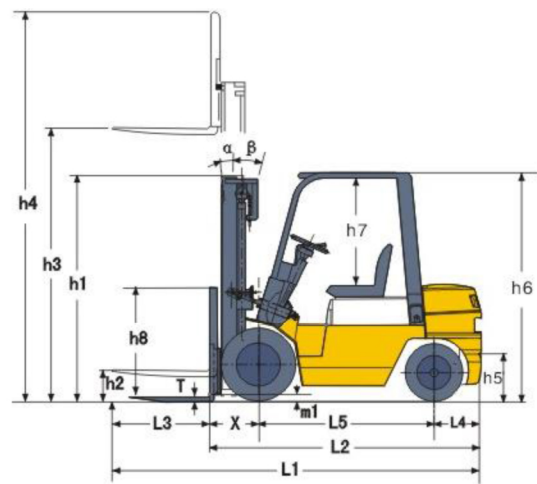
Engine Model and Main Specification for Option

Internal Combustion Engine Model	Internal Combustion Engine Rate horse power (kW/rpm)	Internal Combustion Engine Rate torque (Nm/rpm)	Internal Combustion Engine isplacement(L)	Internal Combustion Engine Number of Clinder
XIN CHNAG A490	36.8/2650	148/1800-1900	2.54	4
XIN CHANG A498(EU IIIA)	45/2500	193/1800	3.168	4
XIN CHANG C490BGP-200	40/2650	160/1800~2000	2.67	4
NISSAN K21	31.2/2250	143.7/1600	2.065	4

Meter function diagram



- ✓ Stepping motor core
- ✓ Fit CE electric safety standard
- ✓ Programmable digitization meter
- ✓ Protection degree IP54
- ✓ Loading output port expanding meter function



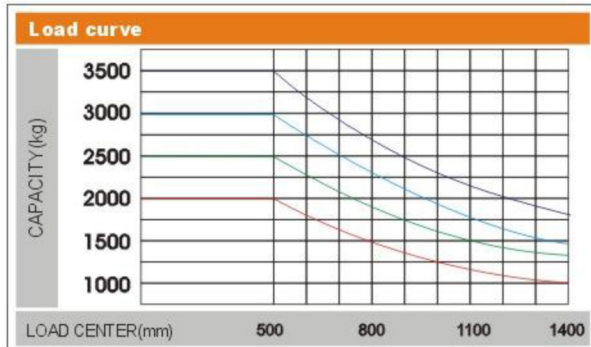
CPC35/CPCD35

CPC30/CPCD30

CPC25/CPCD25

CPC20/CPCD20

Note:
Vertical axle stands for load capacity while horizontal axle stands for load center. Load center is the distance counted from the front of the fork. The base point of the standard load is the center point of the cubic with the same 1000mm dimension in length, width and height. The load capacity should be down, if mast tilts forward, using non-standard forks or loading goods with extra width. Please notice the different load capacity between different load centers according to load chart.



2-3.5t WIDE VIEW MAST

Mast type	Max. Lifting height (mm)	Loading capacity (load center 500mm) (kg)				Mast overall height C (mm)			Mast tilt angle forward/backward	Service weight (kg)			
		CPC20/CPCD20	CPC25/CPCD25	CPC30/CPCD30	CPC35/CPCD35	2-2.5t	3t	3.5t		CPC20/CPCD20	CPC25/CPCD25	CPC30/CPCD30	CPC35/CPCD35
M200	2000	2000	2500	3000	3500	1500	1570	1680	6-12	3235	3595	4180	4600
M250	2500	2000	2500	3000	3500	1750	1820	1930	6-12	3280	3640	4235	4650
M300	3000	2000	2500	3000	3500	2000	2070	2180	6-12	3320	3680	4270	4700
M330	3300	2000	2500	3000	3500	2150	2220	2330	6-12	3350	3708	4295	4730
M350	3500	2000	2500	3000	3500	2250	2320	2430	6-12	3365	3725	4320	4750
M370	3700	2000	2500	3000	3500	2350	2420	2530	6-6 6-12	3385	3745	4330	4770
M400	4000	2000	2500	3000	3200 3500	2550	2620	2730	6-6 6-12	3450	3810	4390	4840
M425	4250	1900 2000	2250 2500	2850 3000	3100 3200	2675	2745	2855	6-6 6-12	3470	3830	4410	4870
M450	4500	1800 1900	2150 2400	2750 3000	3000 3050	2800	2870	2980	6-6 6-12	3490	3850	4435	4890
M500	5000	1600 1700	1650 2200	2400 2850	2500 2850	3050	3120	3230	6-6 6-6	3535	3895	4475	4940
M550	5500	*1600	*1950	*2400	*2500	3350	3420	3530	*3-6	3730	4085	4645	5145
M600	6000	*1500	*1800	*2200	*2300	3600	3670	3780	*3-6	3770	4130	4695	5185

Note: (1) Service weight in the table is the weight of truck installed with double-tyre. +110kg.
(2) *means the loading capacity when front tyre is double-tyre.
(3) Max. lifting height with backrest: +580mm.

2-3.5t WIDE VIEW FULL FREE 2-STAGE MAST

Mast type	Max. Lifting height (mm)	Loading capacity (load center 500mm) (kg)				Mast overall height C (mm)			Free lift (with backrest)			Mast tilt angle forward/backward	Service weight (kg)			
		CPC20/CPCD20	CPC25/CPCD25	CPC30/CPCD30	CPC35/CPCD35	2-2.5t	3t	3.5t	2-2.5t	3t	3.5t		CPC20/CPCD20	CPC25/CPCD25	CPC30/CPCD30	CPC35/CPCD35
ZM200	2000	2000	2500	3000	3500	1495	1570	1680	495	350	560	6-12	3285	3645	4230	4670
ZM250	2500	2000	2500	3000	3500	1745	1820	1930	745	600	710	6-12	3330	3690	4270	4720
ZM300	3000	2000	2500	3000	3500	1995	2070	2180	995	850	960	6-12	3370	3730	4320	4770
ZM330	3300	2000	2500	3000	3500	2145	2220	2330	1145	1000	1100	6-12	3400	3760	4345	4795
ZM350	3500	2000	2500	3000	3500	2245	2320	2430	1245	1100	1210	6-6 6-12	3415	3775	4365	4815
ZM370	3700	2000	2500	3000	3500	2370	2420	2530	1370	1225	1335	6-6 6-12	3430	3790	4380	4835
ZM400	4000	2000	2500	2500	3200 3500	2545	2620	2730	1545	1400	1510	6-6 6-12	3495	3855	4450	4900
ZM425	4250	1900 2000	2250 2500	2850 3000	3100 3200	2670	2745	2855	1670	1525	1635	6-6 6-12	3515	3875	4475	4925
ZM450	4500	1800 1900	2150 2400	2750 3000	3000 3050	2795	2870	2980	1795	1650	1760	6-6 6-6	3540	3900	4495	4950
ZM500	5000	1600 1700	1650 2200	2400 2850	2500 2850	3045	3120	3230	2045	1920	2010	*3-6	3580	3940	4540	5000
ZM550	5500	*1600	*1950	*2450	*2500	3345	3420	3530	2345	2200	2310	*3-6	3770	4130	4730	5195
ZM600	6000	*1500	*1800	*2200	*2300	3595	3670	3780	2545	2450	2560	*3-6	3815	4175	4775	5250

Note: (1) free lifting height of 2-2.5t forklift truck (without backrest): +435mm
free lifting height of 3-3.5t forklift truck (without backrest): +580mm
(2) Service weight in the table is the weight of truck installed with double-tyre. +110kg
(3) *means the loading capacity when front tyre is double-tyre.

2-3.5t WIDE VIEW FULL FREE 3-STAGE MAST

Mast type	Max. Lifting height (mm)	Loading capacity (load center 500mm) (kg)				Mast overall height C (mm)			Free lift (with backrest)			Mast tilt angle forward/backward	Service weight (kg)			
		CPC20/CPCD20	CPC25/CPCD25	CPC30/CPCD30	CPC35/CPCD35	2-2.5t	3t	3.5t	2-2.5t	3t	3.5t		CPC20/CPCD20	CPC25/CPCD25	CPC30/CPCD30	CPC35/CPCD35
ZSM360	3600	2000	2400	2900	3300	1795	1946	1985	755	670	710	6-6 6-6	3540	3900	4510	4825
ZSM400	4000	1900	2400	2900	3300	1920	2065	2115	880	795	845	6-6 6-6	3570	3930	4540	4855
ZSM435	4350	1850 1900	2200 2400	2800 2900	2900 3000	2045	2190	2240	1005	920	970	6-6 6-6	3600	3960	4565	4880
ZSM450	4500	1750 1800	2150 2300	2700 2800	2800 2900	2095	2240	2340	1055	970	1070	6-6 6-6	3610	3970	4580	4895
ZSM470	4700	1720 1800	2000 2300	2600 2800	--	2160	2240	--	1120	970	--	6-6 6-6	3625	3985	4600	4915
ZSM480	4800	1700 1800	1950 2300	2500 2800	2600 2900	2195	2340	2440	1155	1070	1170	6-6 6-6	3630	3990	4620	4935
ZSM500	5000	1600 1750	1650 2250	2400 2750	2450 2850	2295	2440	2565	1255	1170	1295	6-6 6-6	3655	4015	4645	4960
ZSM540	5400	1450 1700	1500 2150	2250 2650	2300 2700	2420	2565	2665	1380	1295	1395	3-6 3-6	3685	4045	4675	4990
ZSM600	6000	950 1600	1000 1800	1500 2100	1550 2200	2645	2790	2885	1605	1520	1615	3-6 3-6	3765	4125	4765	5080

Note: (1) free lifting height of 2-2.5t forklift truck (without backrest): +435mm
free lifting height of 3-3.5t forklift truck (without backrest): +580mm
(2) Service weight in the table is the weight of truck installed with double-tyre. +110kg
(3) *means the loading capacity when front tyre is double-tyre.



BALANCE WEIGHT TYPE
FORKLIFT

2-3.5 Ton

GROS



Manufacturers Data and Design Characteristics													
Characteristics													
1	Manufactory		ANHUI HELI CO., LTD.										
2	Model		CP(Q)Y25	CP(Q)YD25	CP(Q)Y30	CP(Q)YD30	CP(Q)Y35	CP(Q)YD35	CPCD20	CPCD25	CPCD30	CPCD35	
3	Power Type		Gasoline or LPG						Diesel				
4	Rated Capacity	kg	2500	3000		3500		2000	2500	3000	3500		
5	Load Center	mm	500										
6	Driving mode		Sit-on type										
Size													
7	Overall max. lifting height (with backrest)	h4	mm	4030	4262		4262		4030	4030	4262	4262	
8	Max. Lifting height	h3	mm	3000									
9	Height mast retracted (upright)	h1	mm	2000	2065		2180		2000	2000	2065	2180	
10	Free lift height	h2	mm	170	160		170		170	170	160	170	
11	Backrest height (from upper face of forks)	h8	mm	995	1227		1222		995	995	1227	1222	
12	Overhead Guard clearance (from face of seat)	h7	mm	1000									
13	Overall height (overhead guard)	h6	mm	2170	2190		2190		2170	2170	2190	2190	
14	Overall length (without forks)	(L1/L2)	mm	3646/2576	3752/2682		3763/2693		3422/2502	3646/2576	3752/2682	3763/2693	
15	Front overhang	X	mm	477	479		498		477	477	479	498	
16	Rear overhang	L4	mm	494	495		495		420	494	495	495	
17	Wheel base	L5	mm	1600	1700		1700		1600	1600	1700	1700	
18	Coupler height	h5	mm	290	310		310		290	310	310	310	
19	Min. ground clearance under mast	m1	mm	110	135		135		110	110	135	135	
20	Overall width	B	mm	1170	1225		1225		1170	1170	1225	1225	
21	Lateral fork adjustment (Outside of fork)	R	mm	1024/200	1060/250		1060/250		1024/200	1024/200	1060/250	1060/250	
22	Tread (front)	(S/P)	mm	970/970	1000/970		1000/970		970/970	970/970	1000/970	1000/970	
23	Inside turning radius	Wa	mm	2240	2400		2420		2170	2240	2400	2420	
24	Outside turning radius	V	mm	160	200		200		160	160	200	200	
25	Min. intersecting aisle	Ra	mm	2280	2380		2400		2200	2280	2380	2400	
26	Tilting angles (forward/backward)	α / β		6° / 12°						6° / 12°			
27	Fork Size	a × b × c	mm	1070 × 122 × 40	1070 × 125 × 45		1070 × 125 × 50		920 × 122 × 40	1070 × 122 × 40	1070 × 125 × 45	1070 × 125 × 50	
Performance													
28	Max. Traveing speeds (laden/unladen)	km/h		19/20	19/20		19/19		18/19	18/19	19/20	19/19	
29	Lifting Speeds (laden/unladen)	mm/s		490/530	450/500		340/380		506/545	506/545	465/490	370/400	
30	Lowering Speeds (laden/unladen)	mm/s		450/550	450/550		350/400		450/550	450/550	450/550	350/370	
31	Max. Draw-bar pull (laden/unladen)	kN		9.8/8.6	12/8.6	13.5/9.8	15/9.8	14/9.8	17/9.8	18.3/13.3	18.3/13.3	20/15.8	20/16
32	Max. Negotiable Gradient (laden/unladen)	%		15/20	15/20	17/20	19/16.9	15/15	14.5/15	20/20	20/20	15/20	20/20
Weight													
33	Service Mass	kg		3680	4270		4700		3320	3680	4270	4700	
34	Load Wheel. laden (Front/Rear)	kg		5562/618	6543/727		7380/820		4788/532	5562/618	6543/727	7380/820	
35	Load Wheel. unladen (Front/Rear)	kg		1472/2208	1708/2562		1880/2820		1328/1992	1472/2208	1708/2562	1880/2820	
Tyres													
36	Wheel (Front/Rear) X=Driving Wheel			2X/2									
37	Tyre (Front/Rear)			Pneumatic tyre									
38	Tyre size (Front/Rear)			7.00-12-12PR/6.00-9-10PR	28 × 9-15-12PR/ 6.50-10-10PR	28 × 9-15-14PR/ 6.50-10-10PR		7.00-12-12PR/6.00-9-10PR	7.00-12-12PR/6.00-9-10PR	28 × 9-15-12PR/ 6.50-10-10PR	28 × 9-15-14PR/ 6.50-10-10PR		
39	Service Brake			Hydraulic-Foot Pedal									
40	Parking Brake			Mechanical-Hand Lever									
Drive and transmission control device													
41	Battery Voltage/Capacity	V/Ah		12/80									
42	Internal Combustion Engine Model			NISSAN K25				ISUZU C240PKJ				ISUZU 4JG2	
43	Internal Combustion Engine Rated Output	kW/rpm		37.6/2400				35.4/2500				44.9/2450	
44	Internal Combustion Engine Rated Torque	Nm/rpm		176.5/1600				139/1800				186.3/1600~1800	
45	Internal Combustion Engine Number of Cylinder			4-89 × 100				4-86 × 102				4-95.4 × 107	
46	Internal Combustion Engine Displanment	L		2.488				2.369				3.059	
47	Internal Combustion Engine Fuel Tank Capacity	L		60									
48	Transmission Number of Speed Fwd/Bwd type			1-1 Power Shift T/M / 2-2 Manual Shift T/M									